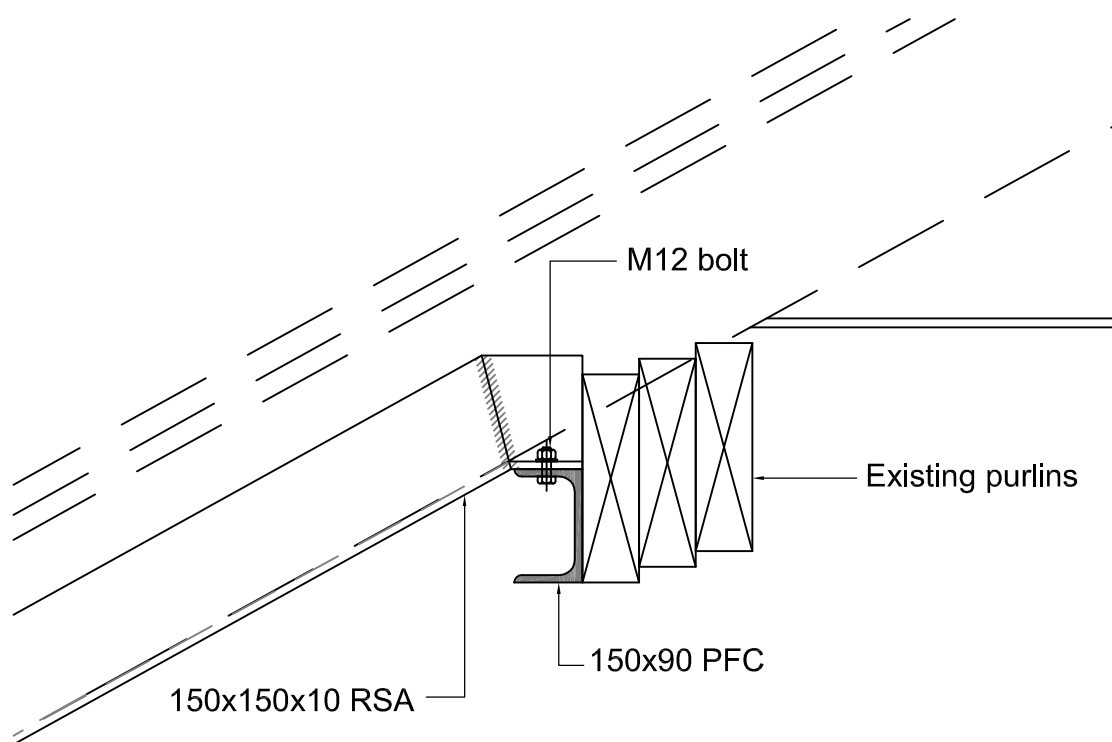
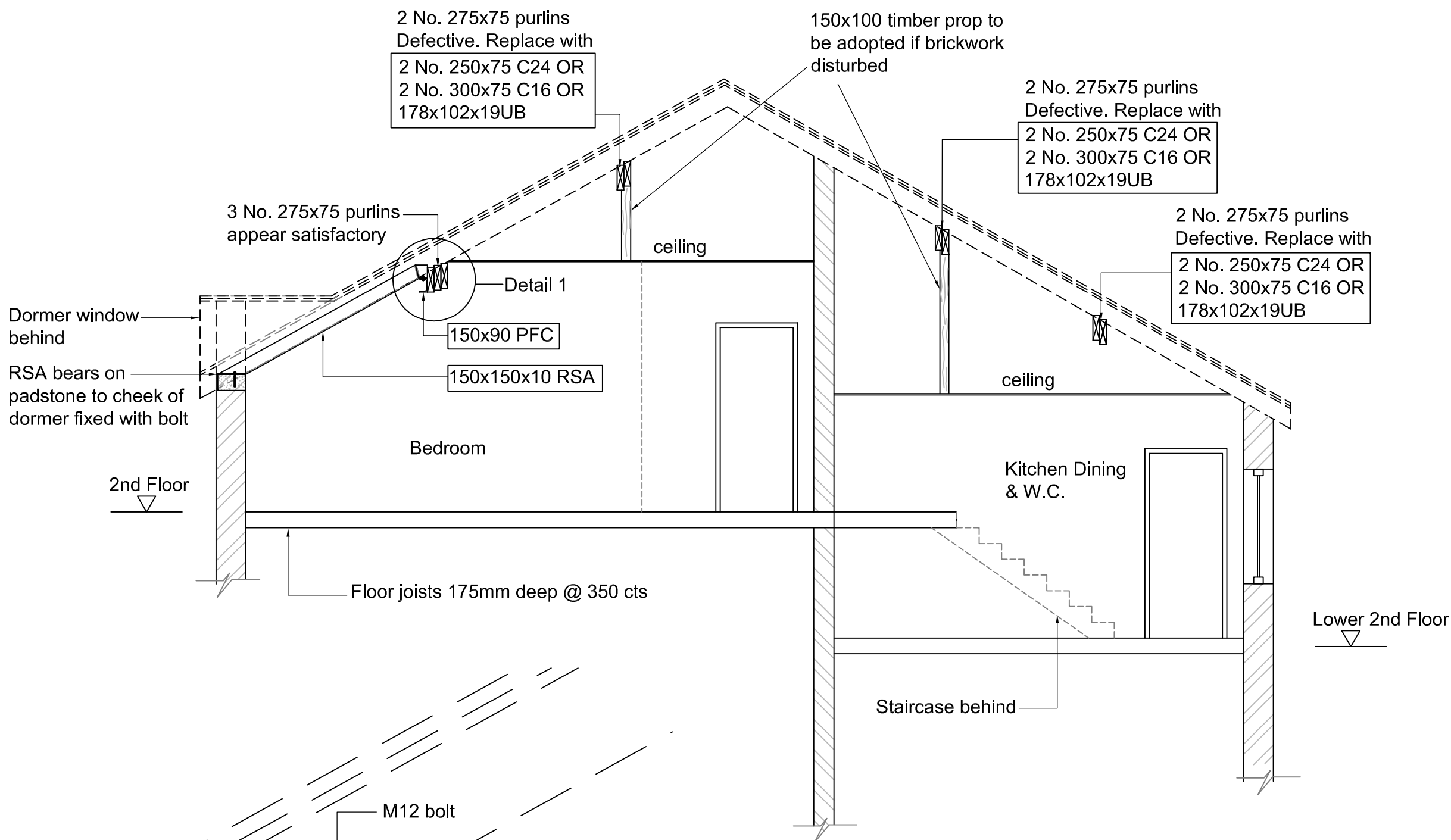


Notes

1. Do not scale this drawing. All dimensions to be verified on site.
2. All timber to be stress graded as stated.
3. If steel beams to be adopted, padstones at bearings are to be provided.



Detail 1:10

Section A-A 1:50

B	Dormer detail added	30/08/12	AP
A	Updated with latest information	17/08/12	AP
Rev	Information	date	by



315 Old Chester Road, Birkenhead, CH42 3XQ
 Tel: 0151 334 3606
 Email: info@connellconsulting.co.uk

FOR APPROVAL

15 Denman Drive
 Liverpool L6 7UF
 Roof Replacement

Section A-A showing roof works

Job Number	Scale	Date	Drawn by	Rev
212230-02	1:50 @ A3	August 2012	A.P	B